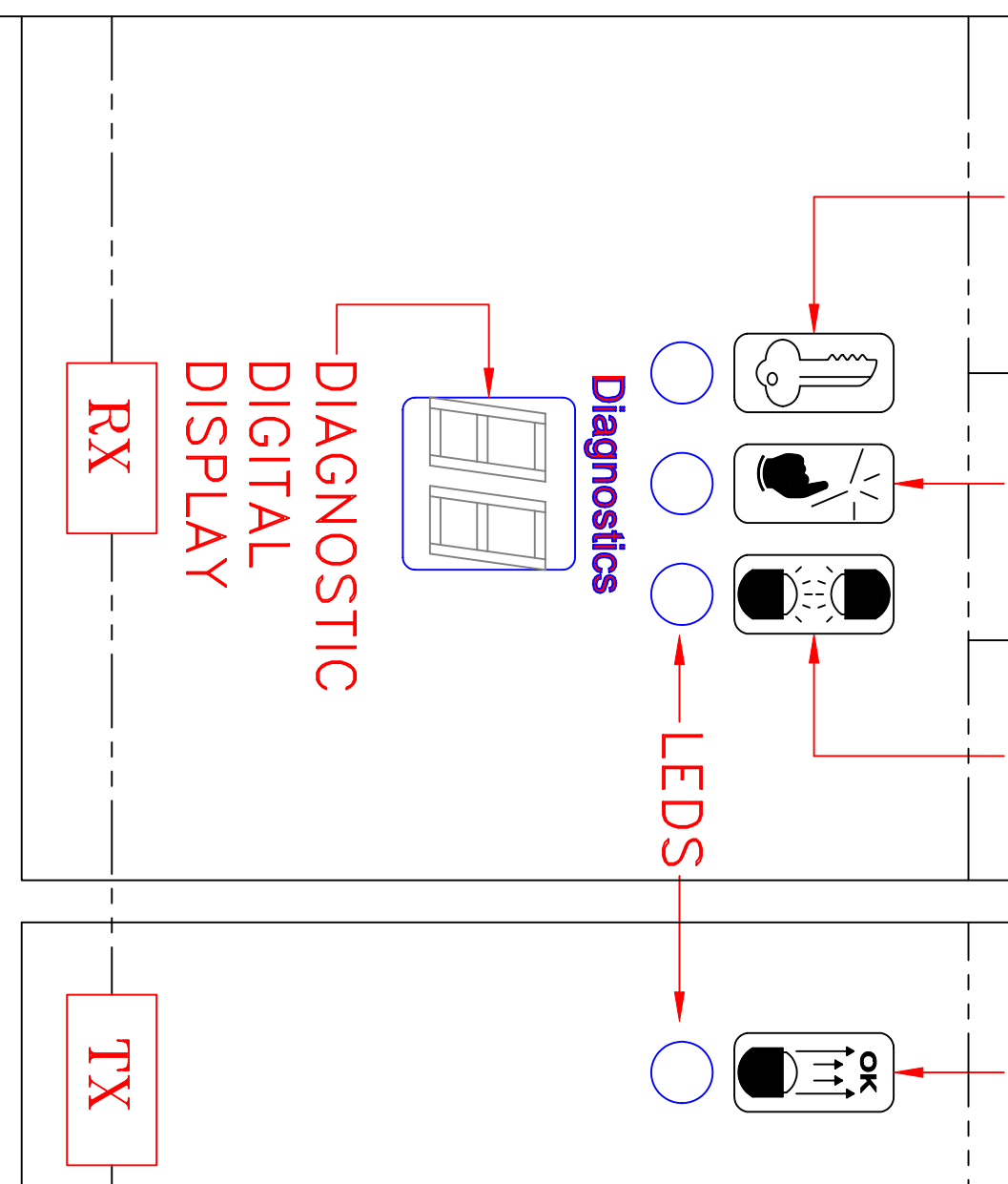


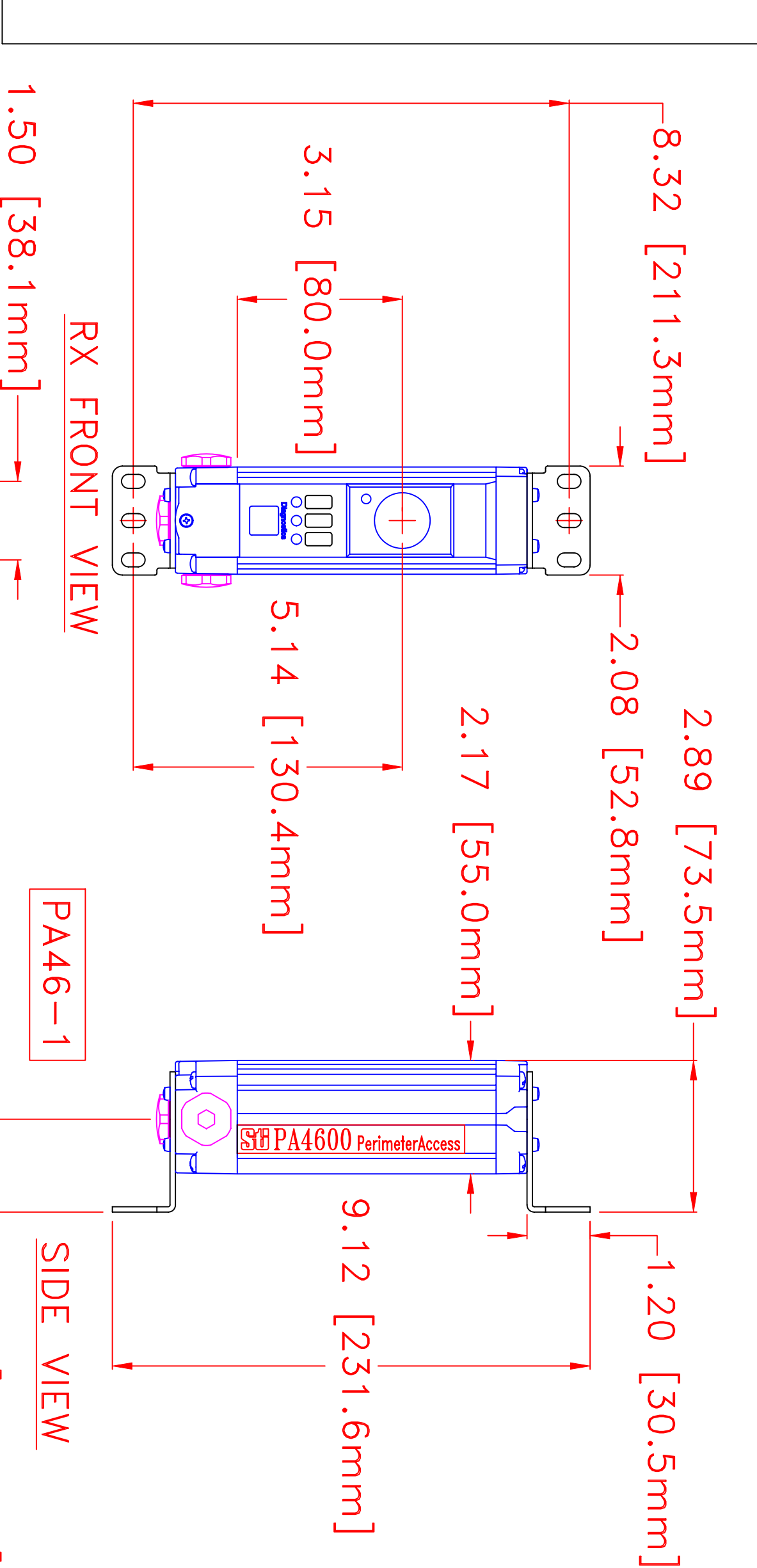
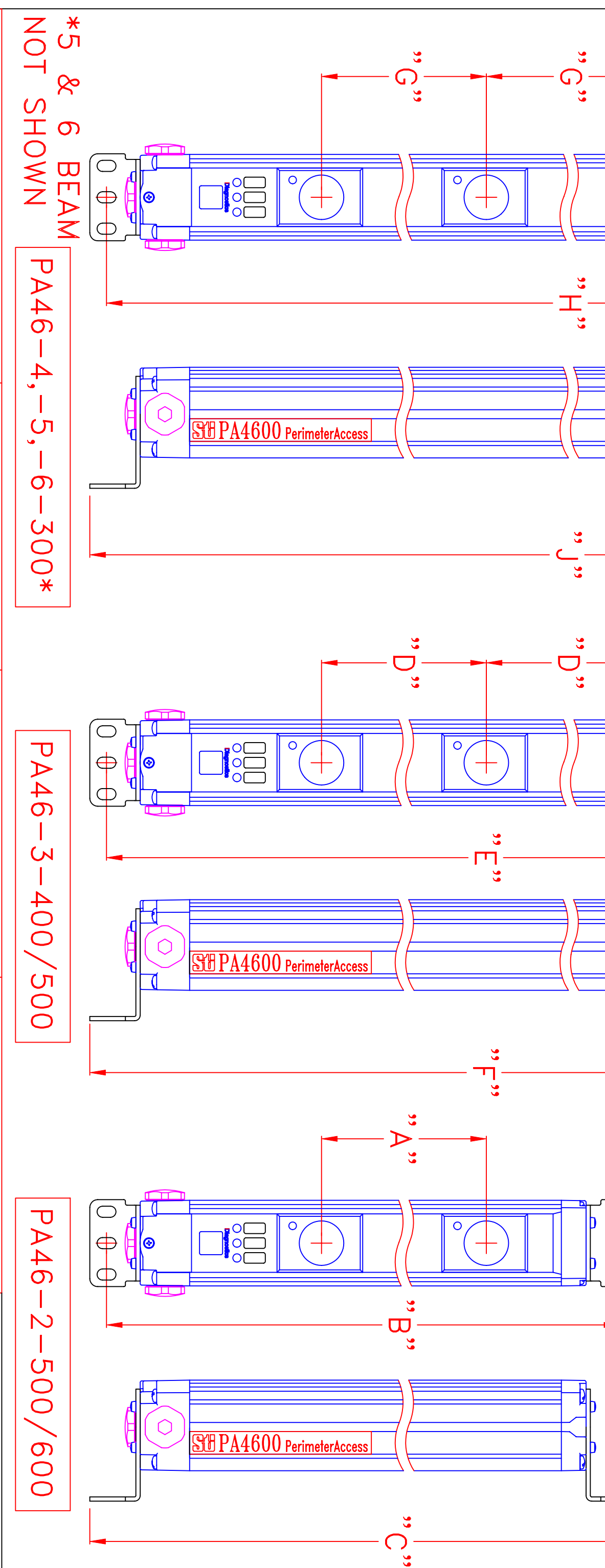
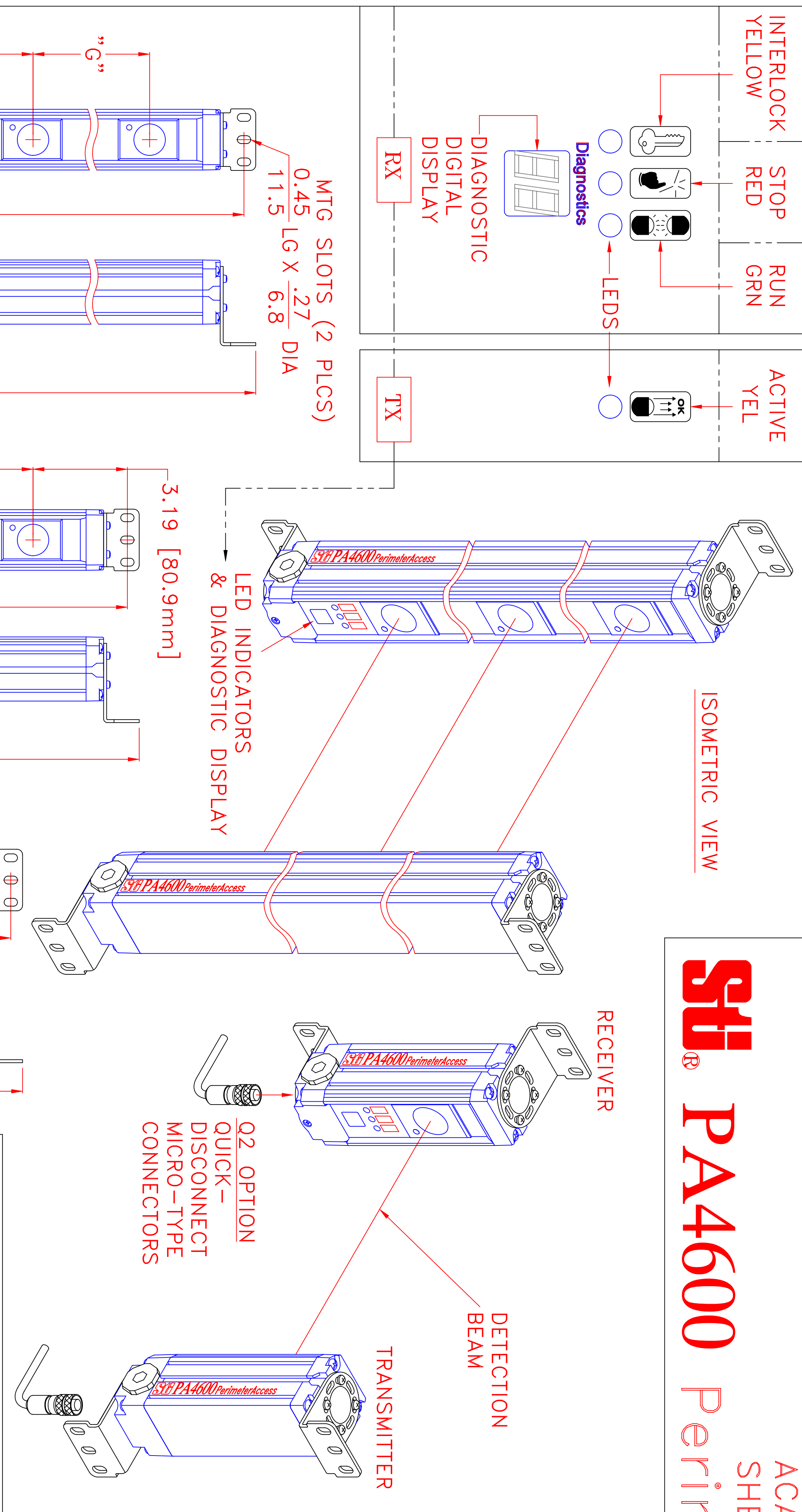
INTERLOCK YELLOW
STOP RED
RUN GRN

ACTIVE YEL

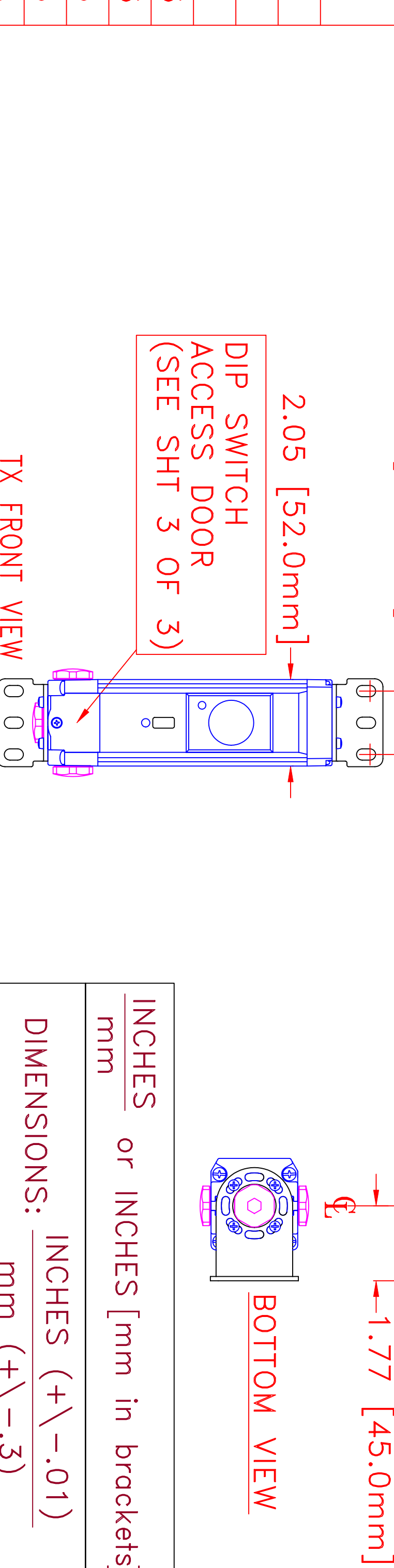


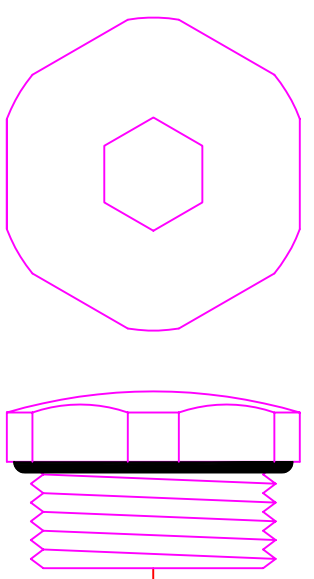
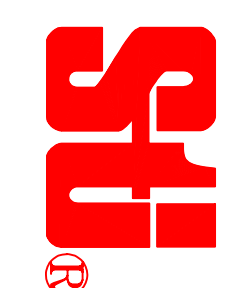
SST PA4600 Perimeter Access

ACAD FILE: CAT-23801J1.DWG
SHEET 1 OF 3

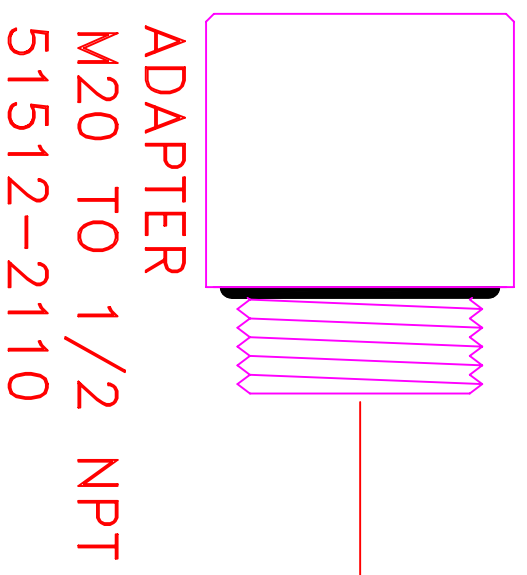


PA4600 Series PA46-X (X = #BEAMS)	BEAM SPACING INCHES/mm	MTG HOLES INCHES/mm	OVERALL HT. INCHES/mm
PA46-1	N/A	8.32/211.3	9.12/231.6
PA46-2-500	A = 19.69/500	B = 28.00/711.3	C = 28.80/731.6
PA46-2-600	A = 23.62/600	B = 31.94/811.3	C = 32.74/831.6
PA46-3-400	D = 15.75/400	E = 39.81/1011.3	F = 40.61/1031.6
PA46-3-500	D = 19.69/500	E = 47.68/1211.3	F = 48.49/1231.6
PA46-4-300	G = 11.81/300	H = 43.75/1111.3	J = 44.55/1131.6
PA46-5-300*	G = 11.81/300	H = 55.56/1411.3	J = 56.36/1431.6
PA46-6-300*	G = 11.81/300	H = 67.37/1711.3	J = 68.17/1731.6

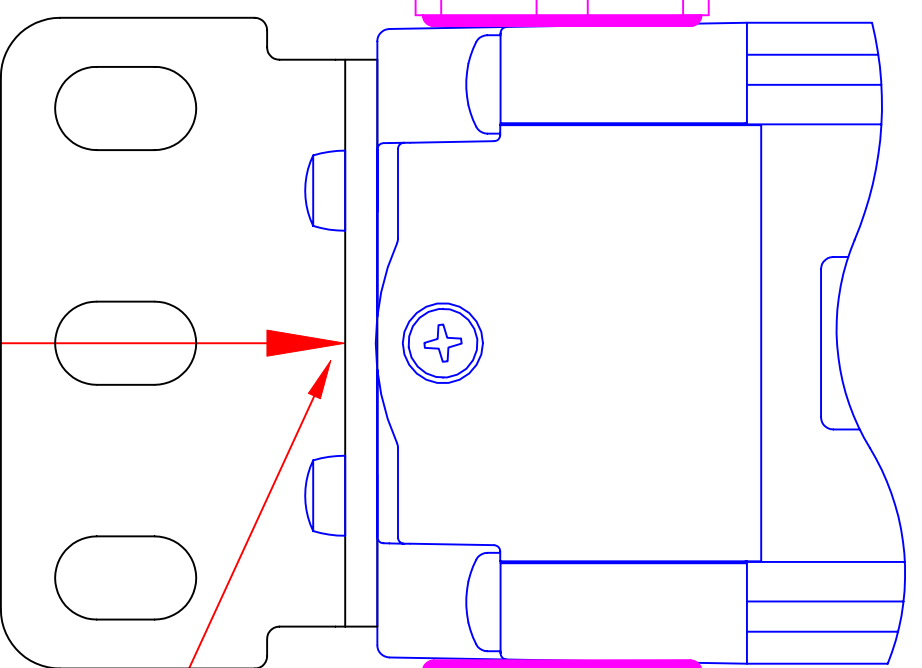




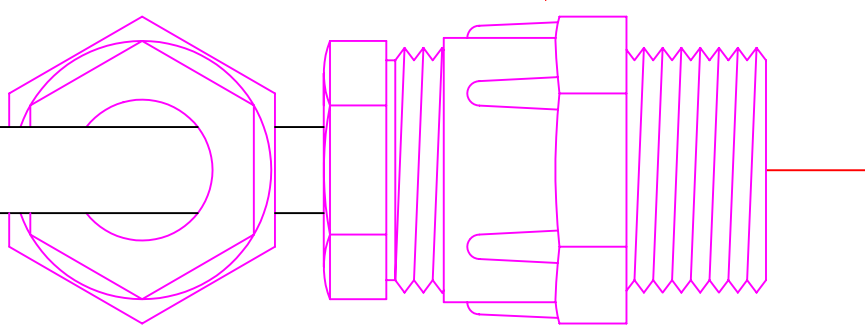
40450-0010
REMOVE M20 PLUG & O-RING FROM ONE
OF 3 PORTS. DO NOT REMOVE O-RING FROM PLUG.



ADAPTER
M20 TO 1/2 NPT
51512-2110



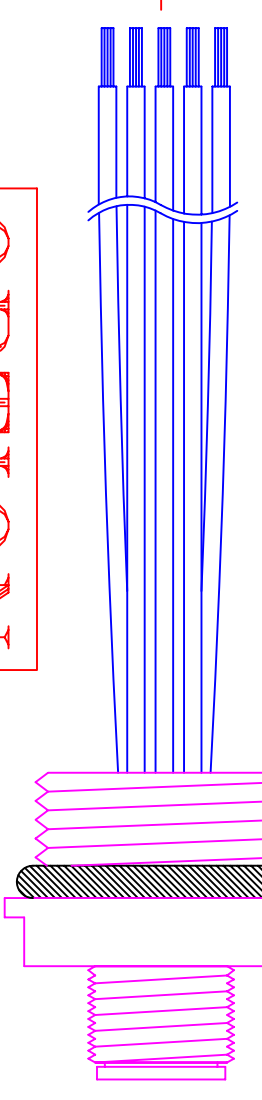
CABLE STRAIN-RELIEF
LIQUID-TITE FITTING
44512-0090



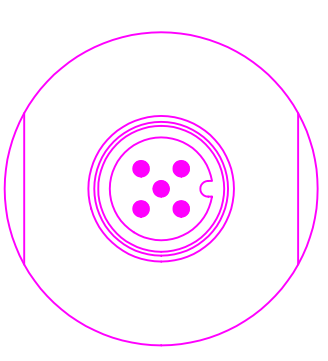
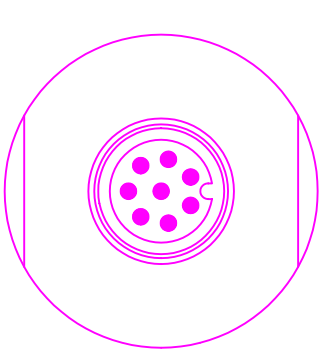
REMOVE M20 PLUG
FROM ONE
OF 3 PORTS.

40450-0010

OPTION
"Q2"

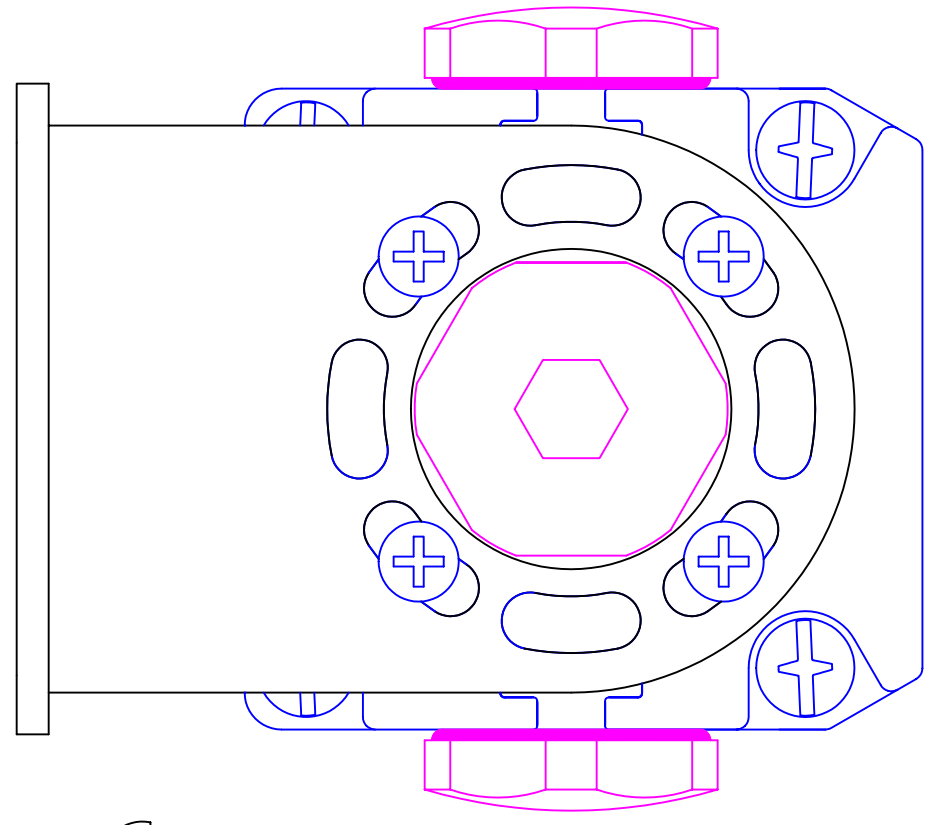


FACTORY INSTALLED



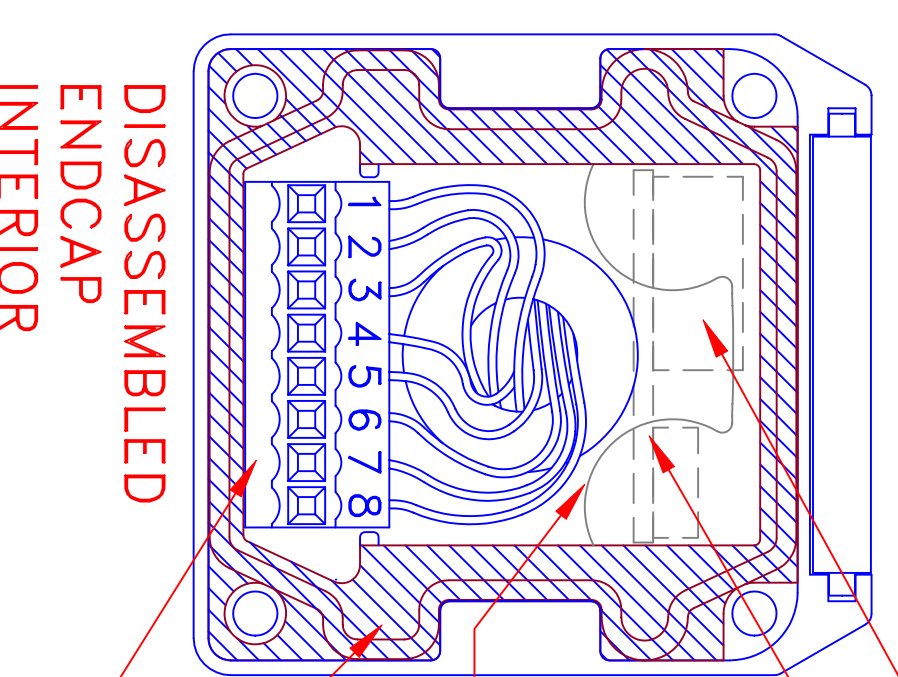
RX MICRO-STYLE
QUICK-DISCONNECT
STI 19210-0010

TX MICRO-STYLE
QUICK-DISCONNECT
STI 19209-0010



BOTTOM VIEW OF ENDCAP
WITH PLUGS
& BRACKET INSTALLED

USER CABLE

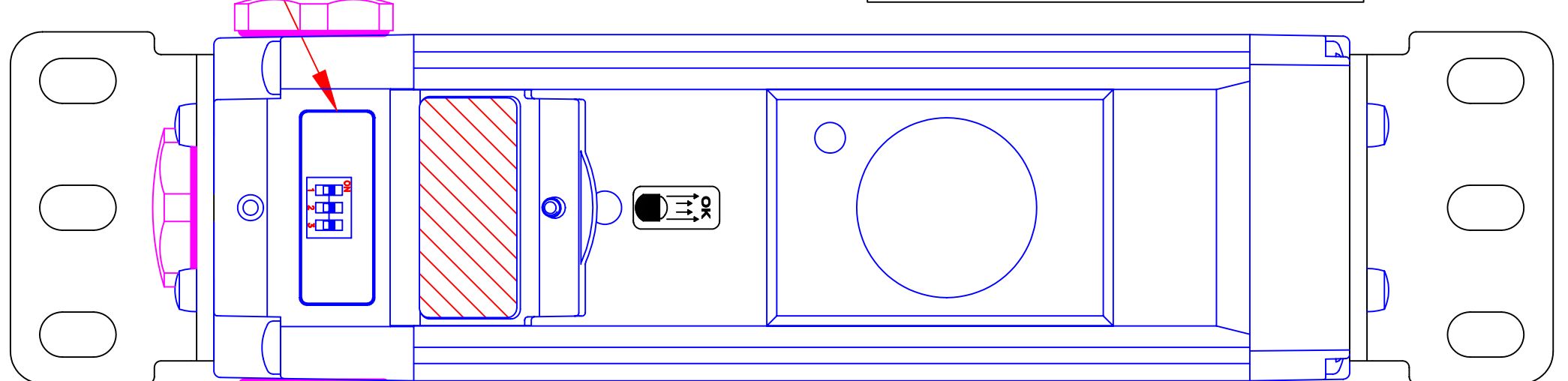
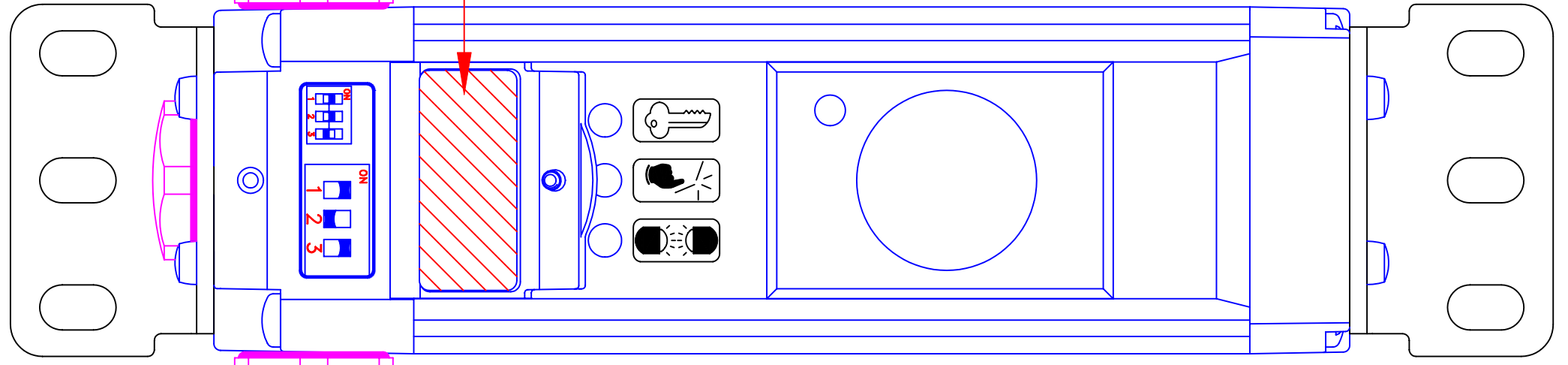
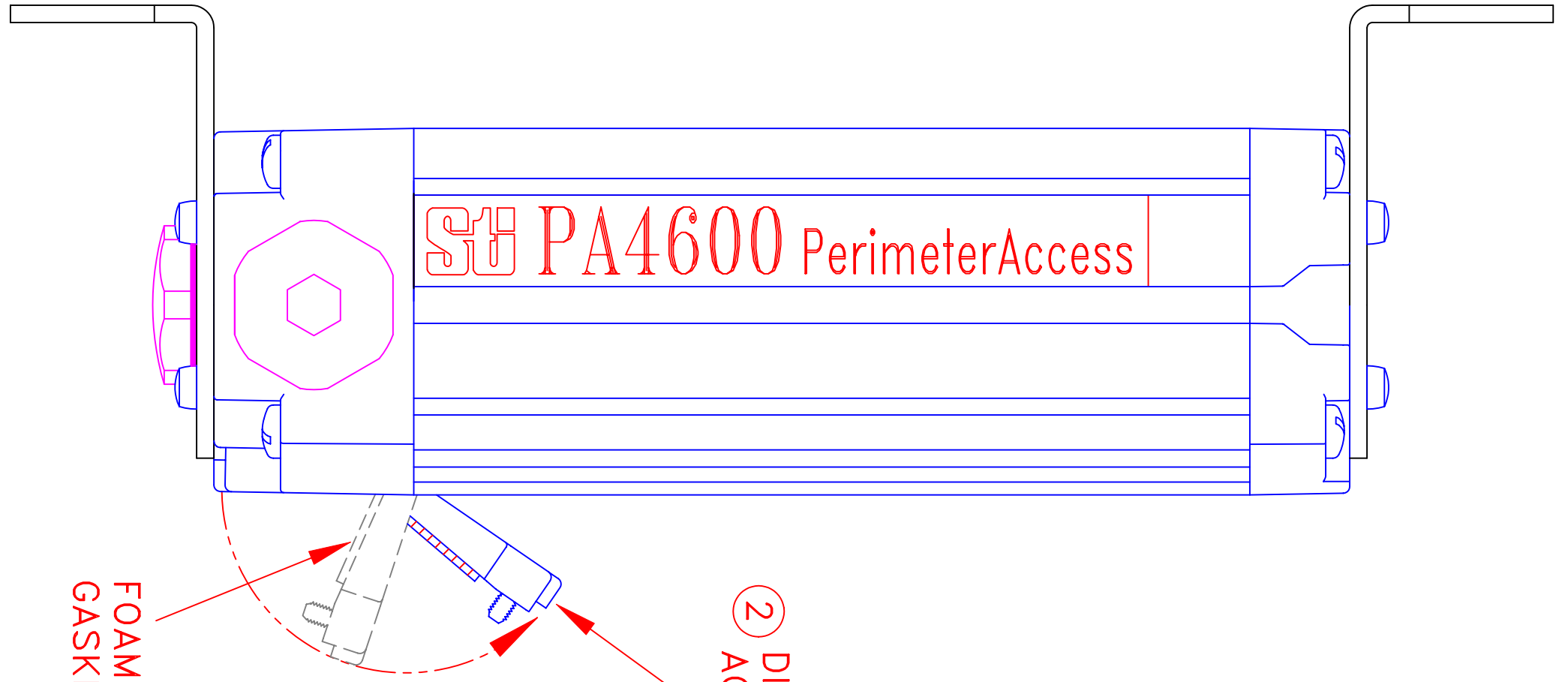
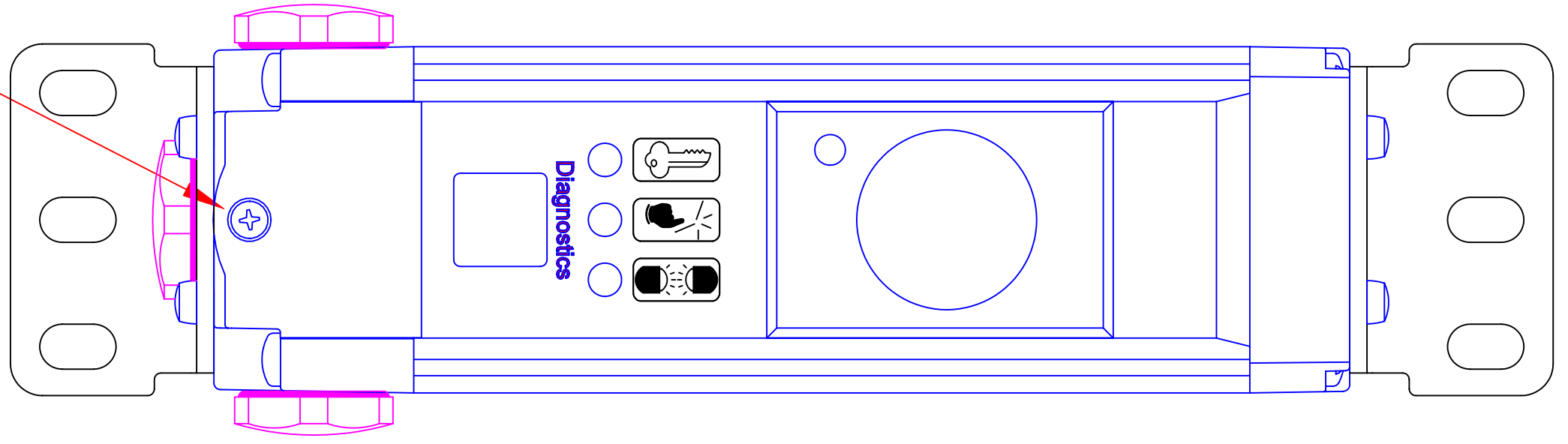


DISASSEMBLED
ENDCAP
INTERIOR

DIP SWITCH
(SEE SHT 3 OF 3
FOR PCA
ACCESS)
PCA
FOR PCA
CLEARANCE
KEEP LEADS
BELOW
THIS LOCATION
GASKET
TERMINAL
BLOCK

PA4600 CONNECTIONS (USER INSTALLATION OPTIONS):

1. 3 I/O PORTS ARE PROVIDED ON "BOTTOM" ENDCAP.
2. PORTS COME WITH M20 PLUGS WITH PERMANENT RECESSED O-RINGS.
3. DIS-ASSEMBLE ENDCAP & REMOVE PLUG FROM PORT TO BE USED. DO NOT REMOVE O-RING.
4. USE STRAIN RELIEF (44512-0090) OR NPT ADAPTER (51512-2110 WITH O-RING) AS REQUIRED.
5. INSTALL CONNECTOR IN OPEN PORT.
6. CONNECT LEAD WIRES TO INTERNAL TERMINAL BLOCK; KEEP LEADS AWAY FROM PCA.



NOTES:
 1. LOOSEN SCREW.
 2. OPEN DOOR FLAP.
 3. ACCESS DIP SWITCHES THRU WINDOW.
 4. SEE MANUAL FOR CONFIGURATION OPTIONS & SWITCH POSITIONS.
 5. SET SWITCHES FOR REQUIRED FUNCTION.

